



Chlorinators / Brominators



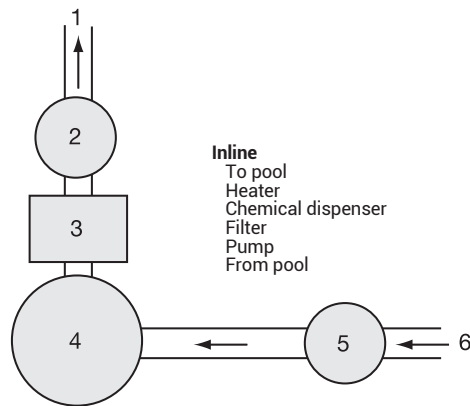
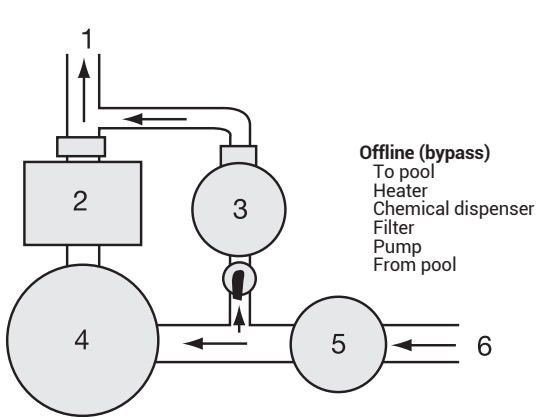
CL0200EURO



C0500EXPE



C0250EXPE



2.5 KG - 4 KG
CAPACITY

| Description | Capacity | Dimensions | Max. pool size (chlorine or bromine) | Item |
|--|----------|--------------|--------------------------------------|--------------|
| Inline chlorinator (for 1.5" connection) | 2.5 kg | 206 x 390 mm | 95 m ³ | CL0100EURO |
| Inline chlorinator (for 1.5" connection) | 4 kg | 290 x 390 mm | 150 m ³ | CL0200EURO |
| Off-line (bypass) chlorinator | 2.5 kg | 170 x 356 mm | 95 m ³ | CL0110EURO |
| Off-line (bypass) chlorinator | 4 kg | 200 x 400 mm | 150 m ³ | CL220EURO |
| Off-line (bypass) brominator | 2.5 kg | 170 x 356 mm | 27 m ³ | CL0110BREURO |
| Off-line (bypass) brominator | 4 kg | 200 x 400 mm | 43 m ³ | CL0220BREURO |

HIGH CAPACITY
7 KG - 14 KG

| Description | C0250EXPE* | C0500EXPE* |
|-------------------------------------|--------------------|--------------------|
| Capacity | 7 kg | 14 kg |
| Ø Connection | 3/4" | 3/4" |
| Dimensions | 445 x 267 mm | 700 x 267 mm |
| Maximum dissolution rate - chlorine | 700 g/h | 800 g/h |
| Maximum pool size for chlorine | 265 m ³ | 530 m ³ |
| Maximum dissolution rate - bromine | 35 g/h | 50 g/h |
| Maximum pool size for bromine | 75 m ³ | 150 m ³ |

* Included connectors