

# 300W halogen light

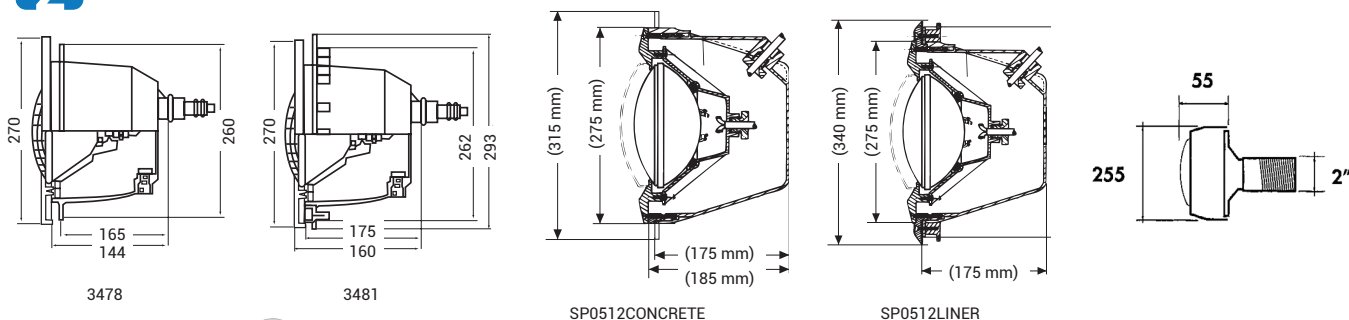


Halogen lights: the standard lights we can't do without!

- White lighting
- Upgradable
- 300 W power output

YEARS OF WARRANTY

2



DESIGN LIGHT



3481

Description

Concrete ref.

Vinyl ref.

Panel ref.

Design light

IP68 - classe III - certification ENEC. Design light without niche including bulb, housing, 6mm<sup>2</sup> cable. IP68 - class III - certification ENEC.

3478

3481

3487

3486

3486

3486

EUROLITE



SP0512LINER

Description

Concrete ref.

Vinyl ref.

Panel ref.

Eurolite

Eurolite light without niche including bulb, housing, 6mm<sup>2</sup> cable. IP68 - class III - certification ENEC.

SP0512CONCRETE

SP0512LINER

-

SP0512

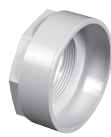
SP0512

-

HALOGEN LIGHTS



3435



Nut - 3393

Description

Concrete ref.

Vinyl ref.

100W light

3434

3435

100W light for fiberglass pool

3434 + Nut 3393

-

100W light for panel

-

3435 + Nut 3393

Wall inlet

3352

-

100W halogen bulb

PHPX34011

PHPX34011