

# RS II DI

YEARS OF WARRANTY



TOTALLY PARTNER +1 +1

## Robust and high-performance

- ➔ **New DI (Double Insulated) pump** with an insulated motor shaft to avoid all contact with water
- ➔ Suitable for all pool types, **especially those requiring large flow volumes (infinity or overflow)**
- ➔ **Strainer with hand knobs for easy-open lid** (made of transparent Lexan) and a 2,950 cm<sup>3</sup> extra large basket for minimal maintenance
- ➔ **Resistant to heat and to corrosion by chemicals and salt**
- ➔ All the components are moulded from **fibre-glass reinforced resin**
- ➔ **Union fitting kit** provided for easy installation and maintenance
- ➔ Recommended for pool basins **up to 150 m<sup>3</sup>**



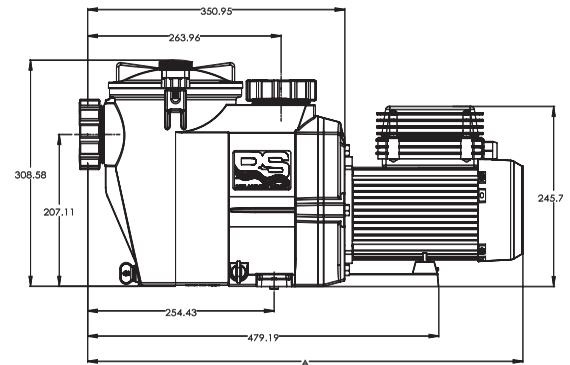
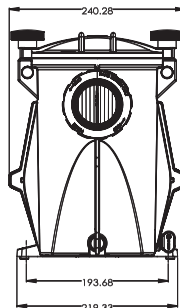
Input / Output 2" internal 50 mm or 63 mm depending on the model



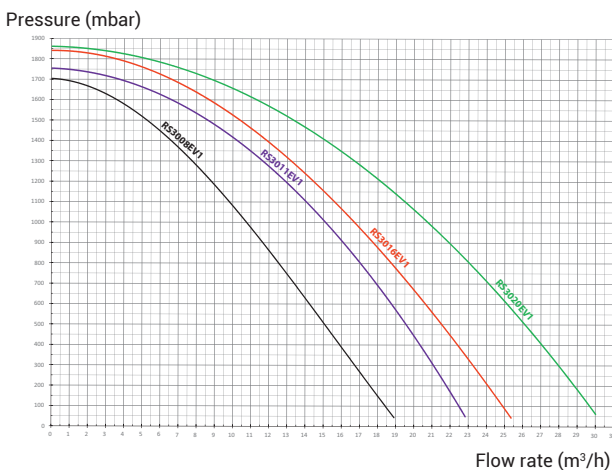
Transparent strainer lid



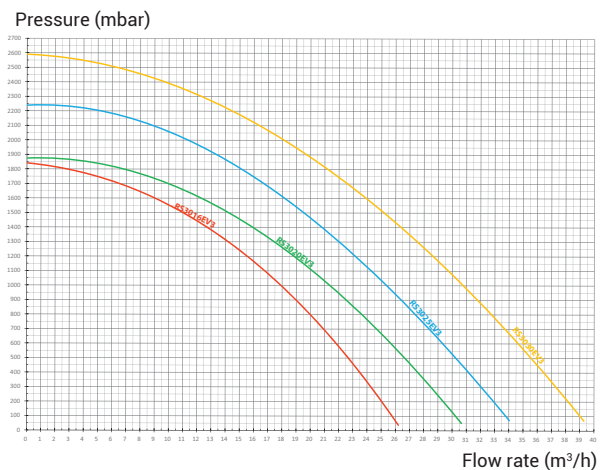
Wing screw drain plug



### ➔ RS II DI mono Curve



### ➔ RS II DI tri Curve



SINGLE PHASE  
RS II DI

Type	Dim A	Weigh	I/O	Flow rate*	Input Power P1	Output Power P2	Amperage	Item
3/4 HP	569 mm	12.8 kg	50 mm	12.5 m <sup>3</sup> /h	800 W	573 W	3,6 A	RS3008EV1
1 HP	569 mm	13.9 kg	50 mm	17 m <sup>3</sup> /h	930 W	694 W	4.15 A	RS3011EV1
1.5 HP	594 mm	15 kg	63 mm	18.75 m <sup>3</sup> /h	1100 W	812 W	5.30 A	RS3016EV1
2 HP	594 mm	15 kg	63 mm	23 m <sup>3</sup> /h	1400 W	1052 W	6.50 A	RS3020EV1

THREE PHASE  
RS II DI

1.5 HP	582 mm	16 kg	63 mm	20 m <sup>3</sup> /h	1330 W	1100 W	4.50/2.60 A	RS3016EV3	IE3 ✓
2 HP	600 mm	17 kg	63 mm	23.7 m <sup>3</sup> /h	1764 W	1500 W	5.72/3.30 A	RS3020EV3	IE3 ✓
2.5 HP	630 mm	20.5 kg	63 mm	27.5 m <sup>3</sup> /h	2560 W	2200 W	8.20/4.70 A	RS3025EV3	IE3 ✓
3 HP	630 mm	20.5 kg	63 mm	32.85 m <sup>3</sup> /h	2560 W	2200 W	8.20/4.70 A	RS3030EV3	IE3 ✓

\* under 8m water column pressure