

MaxFlo™



Efficient and durable

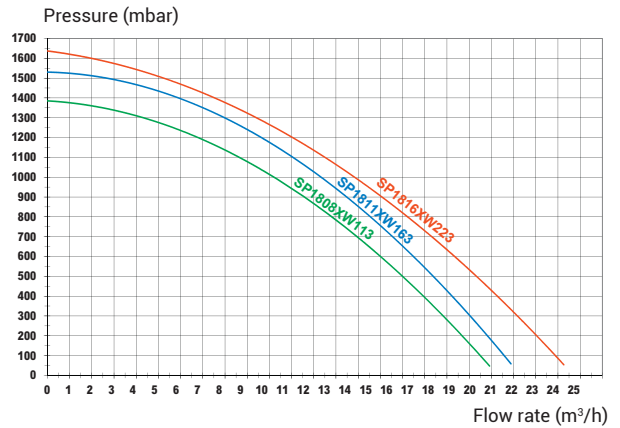
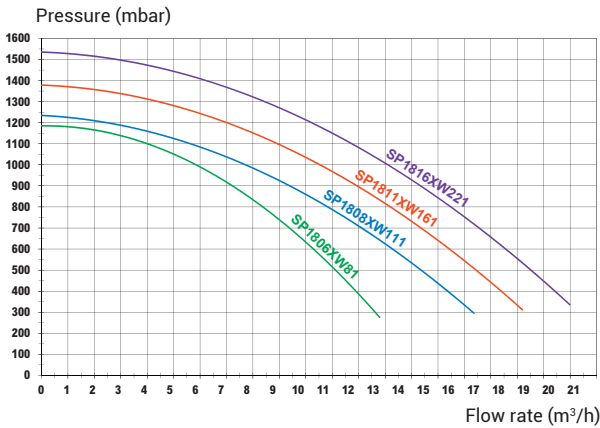
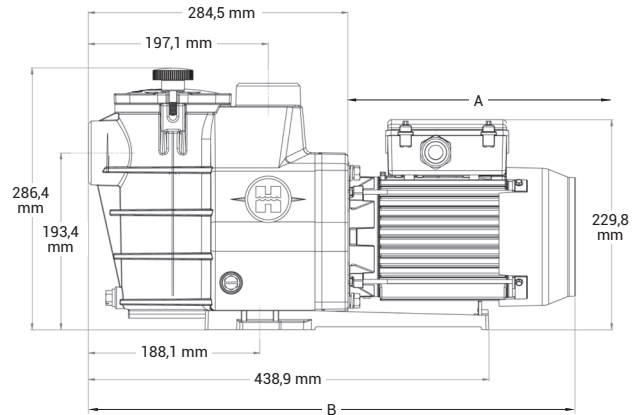
- ➔ **Compact design, ideal** for very small equipment rooms
- ➔ Excellent value for money
- ➔ **Input and output tapped to 1.5"**
- ➔ Suitable for all types of pool **up to 70 m³ for the 1.5 HP model**



In / Out 1.5"

See-through strainer cover

Drain plugs for an easy wintering



	Type	Dim A	Dim B	Weight	I/O	Flow rate*	Input Power P1	Output Power P2	Amperage	Item
SINGLE PHASE MAXFLO™	1/2 HP	249 mm	534 mm	14 kg	1"½	8 m³/h	680 W	490v W	2.9 A	SP1806XW81
	3/4 HP	249 mm	534 mm	14 kg	1"½	11 m³/h	870 W	610 W	3.1 A	SP1808XW111
	1 HP	249 mm	534 mm	15 kg	1"½	13 m³/h	975 W	720 W	3.5 A	SP1811XW161
	1.5 HP	249 mm	534 mm	15 kg	1"½	15 m³/h	1 100 W	830 W	4.7 A	SP1816XW221
THREE PHASE MAXFLO™	3/4 HP	253 mm	537 mm	13 kg	1"½	12.8 m³/h	1330 W	1100 W	4.5/2.6 A	SP1808XW113 IE3 ✓
	1 HP	253 mm	537 mm	14 kg	1"½	14.5 m³/h	1330 W	1100 W	4.5/2.6 A	SP1811XW163 IE3 ✓
	1.5 HP	253 mm	537 mm	15 kg	1"½	16.2 m³/h	1330 W	1100 W	4.5/2.6 A	SP1816XW223 IE3 ✓

*Under 8m water column pressure