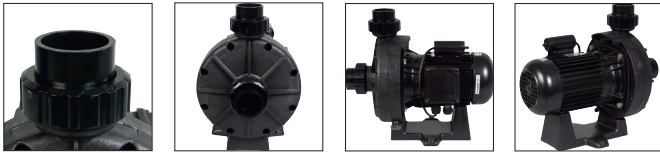


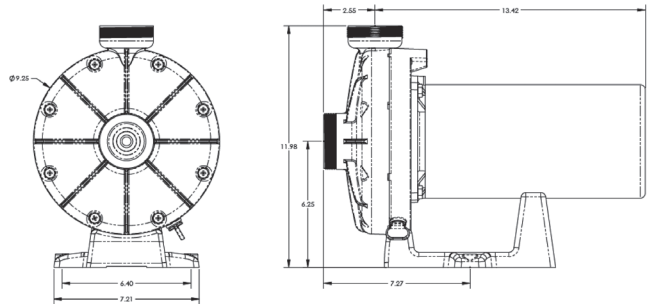
Booster Pump

Booster

- ➔ **Adaptable:** union fittings provided
- ➔ **Easy to install**
- ➔ **Extremely quiet**
- ➔ **Suitable for all types of pressure cleaner**



Union fittings



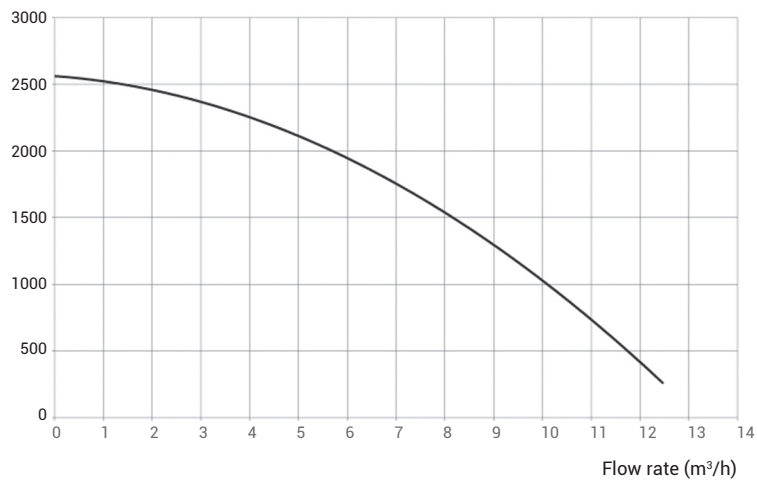
The perfect partner
for TriVac™ cleaners



TriVac™ 500

TriVac™ 700

Pressure (mbar)



Flow rate (m³/h)

BOOSTER PUMP

Type	I/O	Weight	Input Power P1	Output Power P2	Amperage	Item.
1 HP	50 mm	11 kg	1100 W	830 W	4.8 A	SP6050E