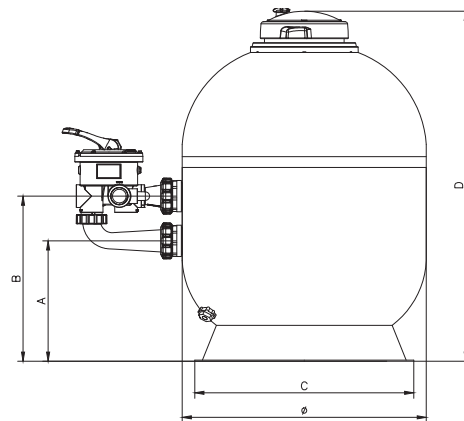


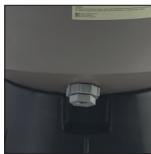
ProSeries™ HL TL Side

Optimized hydraulic for a high quality filtration

- **Polyester fiber glass reinforced filter** for swimming pools up to 189 m³
- **Twist-lock super fast closing mechanism**, no tool required
- **Dual-Side diffuser**, optimal water spreading over the media
- **Quick connect laterals** and big drain for easy maintenance
- **Monoblock inner unions**, no glued parts
- **Big drain, easy maintenance**, no tools needed
- **Operating pressure: 2.5 bar**



Twist lock mechanism for fast closing



Drain plug for easy maintenance



VariFlo™ 6 way valve

PROSERIES™
HLTL SIDE

	Flow rate	Diameter Ø	I/O	Filtering area	Empty weight	Sand	Dimensions				Item.
							A	B	C	D	
PROSERIES™ HLTL SIDE	10 m ³ /h	520 mm	1" ½	0.21 m ²	17 kg	100 kg	305 mm	430 mm	458 mm	832 mm	S210SLETL
	14 m ³ /h	640 mm	1" ½	0.32 m ²	23 kg	150 kg	315 mm	440 mm	458 mm	917 mm	S240SLETL
	22 m ³ /h	760 mm	2"	0.45 m ²	34 kg	225 kg	365 mm	505 mm	605 mm	957 mm	S310SLETL
	30 m ³ /h	900 mm	2"	0.63 m ²	45 kg	325 kg	365 mm	505 mm	605 mm	957 mm	S360SLETL

*The VariFlo™ valve with connection 1.5" is available only in diameters 520 and 640 (after 2018 production stocks have run out). 2" connection filters are supplied with valve Ref. 250120011300 and unions Ref. 500200061100.