

# ProSeries™ HL BTL

## High performance for premium pools

- ➔ **Polyester fiberglass reinforced filter**
- ➔ **Twist-Lock** super fast closing mechanism, no tools needed, no worries with sand or hard water scale
- ➔ **VariFlo™\* 6 way valve**, robust and reliable
- ➔ Dual-side diffuser, **optimal water spreading over the media**
- ➔ Quick connect laterals and drain plug for **easy maintenance**
- ➔ All models are fitted with a **pressure gauge**.

**NEW**



Twist-Lock mechanism for fast and easy closing

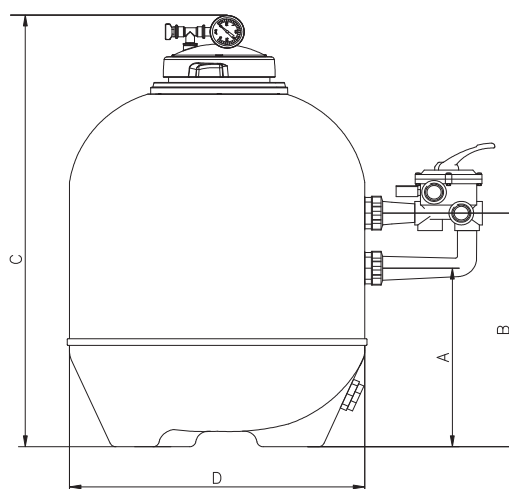


VariFlo™\* 6 way valve



Optimized hydraulic thanks to the monoblock internal unions, no glued parts

**EXPERT LINE**



Flow rate	In/Out	Diameter Ø	Filtration area	Max pressure	Empty weight	Sand	Dimensions				Item
							A	B	C	D	
10 m³/h	1,5"	520 mm	0,21 m²	2,5 bar	17 kg	100 kg	355 mm	480 mm	890 mm	520 mm	S210SLBTL
14 m³/h	1,5"	640 mm	0,32 m²	2,5 bar	23 kg	150 kg	405 mm	530 mm	960 mm	640 mm	S240SLBTL
22 m³/h	2"	760 mm	0,45 m²	2,5 bar	34 kg	225 kg	460 mm	300 mm	1120 mm	760 mm	S310SLBTL
30 m³/h	2"	900 mm	0,63 m²	2,5 bar	45 kg	325 kg	470 mm	610 mm	1135 mm	900 mm	S360SLBTL

PROSERIES™  
HL BTL

\*The VariFlo™ valve with connection 1.5" is available only in diameters 520 and 640 (after 2018 production stocks have run out). 2" connection filters are supplied with valve Ref. 250120011300 and unions Ref. 500200061100.