

ProSeries™ HL Side

Attractive, sturdy design

- **New range of polyester filters:** fibreglass-reinforced polyester filter body for enhanced pressure resistance. Its structure gives it great strength
- **A complete range:** four products to suit all your customers' pool configurations
- **Bolted opaque cover**
- **Wide top opening** to facilitate easier sand loading
- **Supplied with 6-way valve.** All models are fitted with a pressure gauge



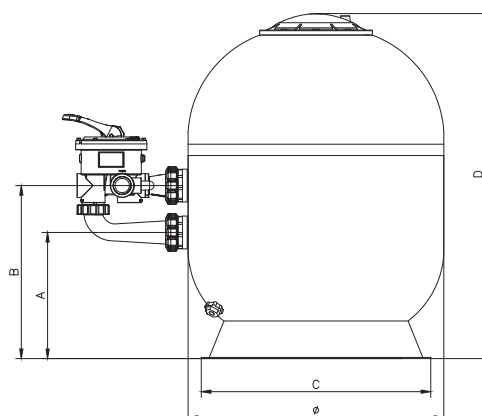
6-position valve with integrated pressure gauge



Drain plug for easy maintenance



Wide top opening for easier sand loading



	Flow rate	Diameter Ø	In/Out	Filtration area	Empty weight	Sand	Dimensions				Item.
							A	B	C	D	
PROSERIES™ HL SIDE	10 m³/h	520 mm	1" ½	0.21 m²	11 kg	100 kg	305 mm	430 mm	775 mm	458 mm	S210SLE
	14 m³/h	640 mm	1" ½	0.32 m²	21 kg	150 kg	315 mm	440 mm	860 mm	458 mm	S240SLE
	22.5 m³/h	760 mm	2"	0.45 m²	31 kg	225 kg	365 mm	505 mm	900 mm	605 mm	S310SLE
	31.5 m³/h	900 mm	2"	0.63 m²	40 kg	325 kg	365 mm	505 mm	900 mm	605 mm	S360SLE

*The VariFlo™ valve with connection 1.5" is available only in diameters 520 and 640 (after 2018 production stocks have run out).
2" connection filters are supplied with valve Ref. 250120011300 and unions Ref. 500200061100.